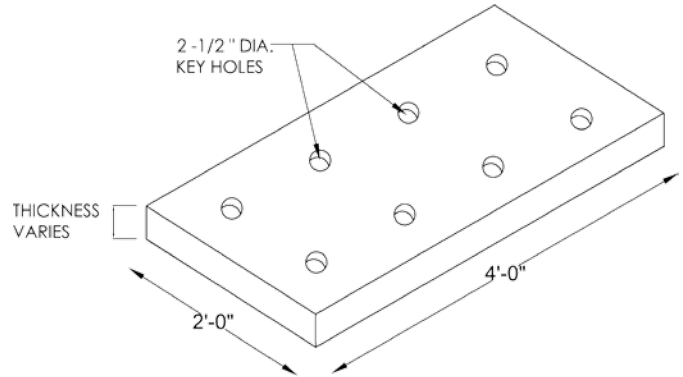


EXPANDED POLYSTYRENE HOLEY BOARD

Requirements:

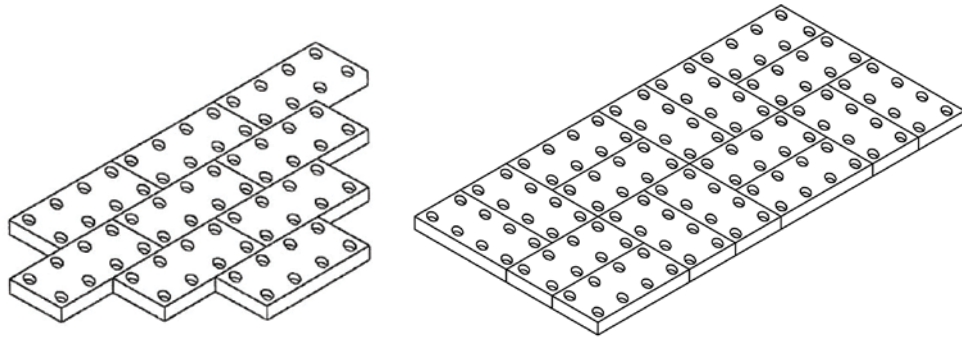
- Minimum nominal density of 1 lbs/ft³. (Meeting ASTM C 578)
- Minimum thickness of 1 inch.
- (8) 2 1/2" dia. (+/- 1/2") keying holes.
- Board Dimensions; 2 ft. width by 4 ft. in length.



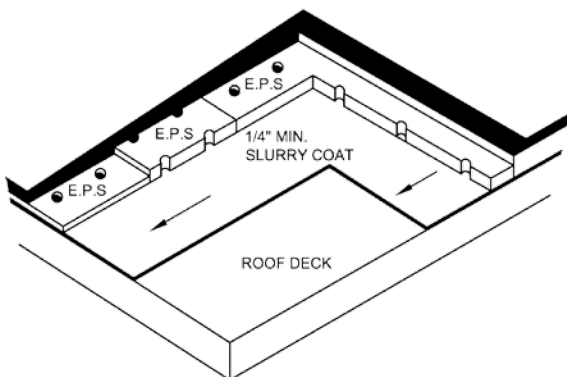
Placement:

Boards shall be placed in either a staggered or a double staggered pattern. The EPS boards shall be placed immediately into a slurry of fresh cellular concrete. The boards shall be placed in such a manner as to cause full contact of the boards under-surface with the cellular concrete. The board shall be allowed to adequately bond to the substrate prior to the placement of the topping pour.

E. P. S. INSULATION BOARD

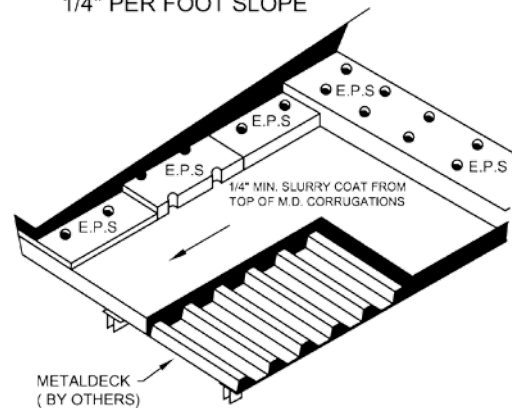


2 1/4" MIN. LIGHTWEIGHT CONCRETE OVER E.P.S BOARD AT ANY GIVEN POINT TO OBTAIN 1/4" PER FOOT SLOPE



ISOMETRIC DETAIL- LT-WT. CONC. OVER SLAB

2 1/4" MIN. LIGHTWEIGHT CONCRETE OVER E.P.S BOARD AT ANY GIVEN POINT TO OBTAIN 1/4" PER FOOT SLOPE



ISOMETRIC DETAIL- LT-WT. ON METAL DECK